

IR Quattro HD 24m

DALI-2 APC - concealed
EAN 4007841 002756
Article number 002756



infrared sensor



max. 8m x 8m presence

HD

4800 zones

2000 W

max. 2000 W



IP20



ideal 2.5 - 10 m



indoor sensor



energy saving

5 years

manufacturer's warranty steinel-professional.de/
garantie



CE

Function description

Detection no finer! Infrared presence detector Presence Control PRO IR Quattro HD DALI-2 Application Controller for indoors, ideal for medium to large-size offices, conference and meeting rooms, classrooms and lecture theatres, sports halls and warehouses, installation height up to 10 m, with digital DALI-2 Application Controller interface for controlling 2 lighting channels, 4800 switching zones for the ultimate in detection quality, presence detection over a true 64 m², square detection zone, mechanically scalable.

Technical specifications

Dimensions (L x W x H)	70 x 120 x 120 mm	Optimum mounting height	2,8 m
Manufacturer's Warranty	5 years	Detection angle	360 °
Settings via	Remote control, DIP switches, Potentiometers, Smart Remote	Angle of aperture	160 °
With remote control	No	Sneak-by guard	Yes
Version	DALI-2 APC - concealed	Capability of masking out individual segments	No
PU1, EAN	4007841002756	Electronic scalability	No
Type	Presence detector	Mechanical scalability	Yes
Application, place	Indoors	Reach, radial	8 x 8 m (64 m ²)
Application, room	classroom, lecture hall, open-plan office, high-bay warehouse, production facilities, conference room / meeting room, duty room, recreation room, changing room, sports hall, reception / lobby, multi-storey / underground car park, Indoors	Reach, tangential	20 x 20 m (400 m ²)
		Reach, presence	8 x 8 m (64 m ²)
		Switching zones	4800 switching zones
Colour	white	Functions	Normal / test mode, Semi-/fully automatic, Pushbutton / switch mode, Manual ON / ON-OFF, Constant-lighting control ON-OFF
Colour, RAL	9010	Twilight setting	10 – 1000 lx

IR Quattro HD 24m

DALI-2 APC - concealed
 EAN 4007841 002756
 Article number 002756



Technical specifications

Includes corner wall mount	No	Time setting	30 sec – 30 min
Installation site	ceiling	Basic light level function	Yes
Installation	Concealed wiring, Ceiling	Basic light level function time	1-60 min, all night
IP-rating	IP20	Main light adjustable	50 - 100 %
Ambient temperature	-25 – 55 °C	Twilight setting TEACH	Yes
Material	Plastic	Constant-lighting control	Yes
Mains power supply	230 V / 50 – 60 Hz	Interconnection	Yes
Steuerausgang, Dali	Broadcast 2x12 electronic ballasts	Type of interconnection	Master/slave
Technology, sensors	passive infrared, Light sensor	Interconnection via	Cable
Mounting height	2,50 – 10,00 m		
Mounting height max.	10,00 m		

Accessories

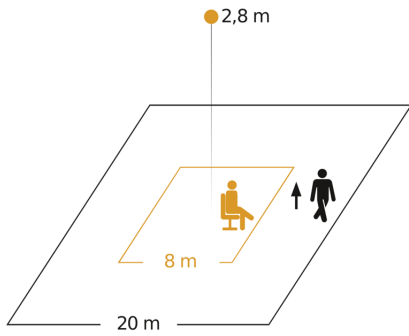
EAN 4007841 592806	User remote control RC5
EAN 4007841 003036	Control PRO guard cage
EAN 4007841 000363	Surface-mounted adapter Control Pro IP54
EAN 4007841 009151	Remote control Smart Remote
EAN 4007841 559410	Service remote control RC8

IR Quattro HD 24m

DALI-2 APC - concealed
 EAN 4007841 002756
 Article number 002756

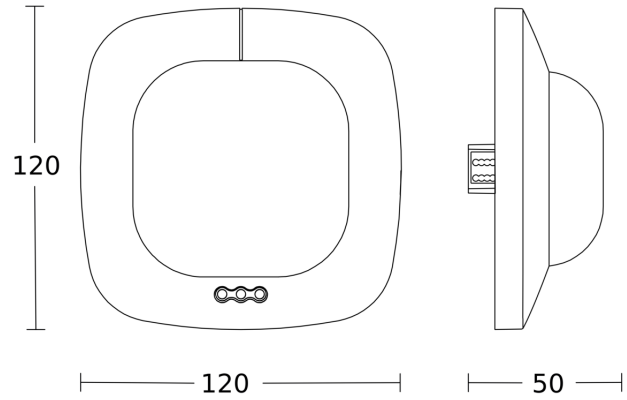


Detection Zone

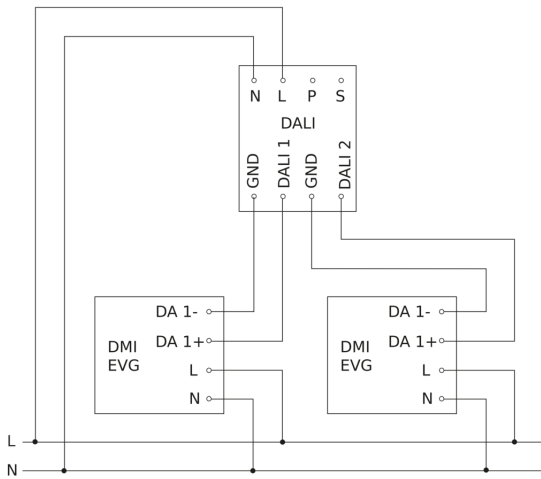


Possible mounting height: 2,50 m - 10,00 m
 Orange: presence
 Black: tangential

Dimension Drawing



Master circuit diagram



Master/master interconnection circuit diagram

